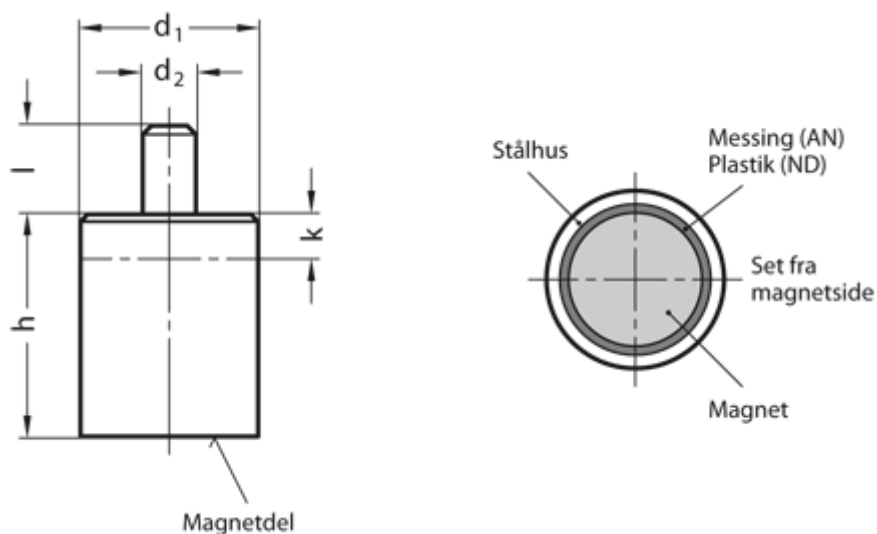


Article number: 201239379

Description: E+G Retaining magnets with smooth stud GN 52.4-AN-20-M6-E
Alu, Nickel, Cobalt - 450° C, 40N

Measures



d1 = 20

d2 = 6

h = 25 ±0,2

Holding force N = 40.0

k = 5 mm - Max. dimension the magnet can be shortened

l = 8

Material = AN Alu, nickel, cobalt, 450°C